

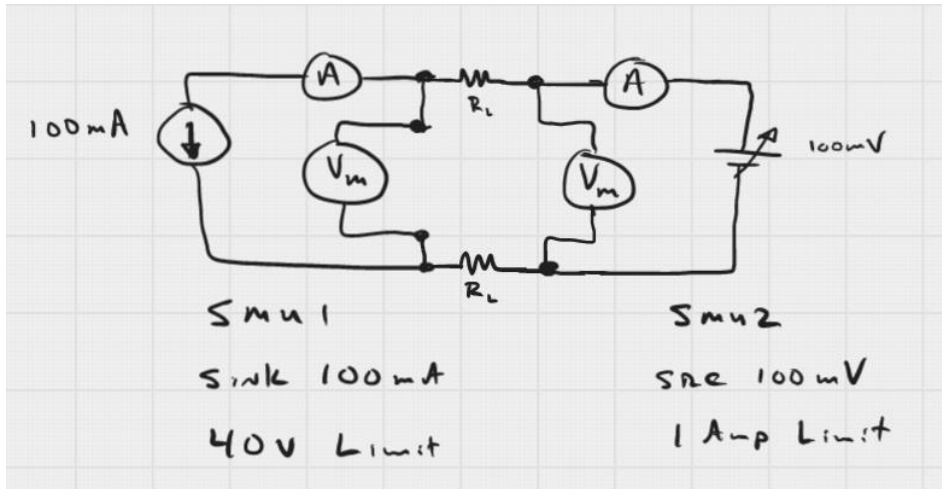
SourceMeter as a Load

Consider this connection scheme between the two SMUs (2602B):

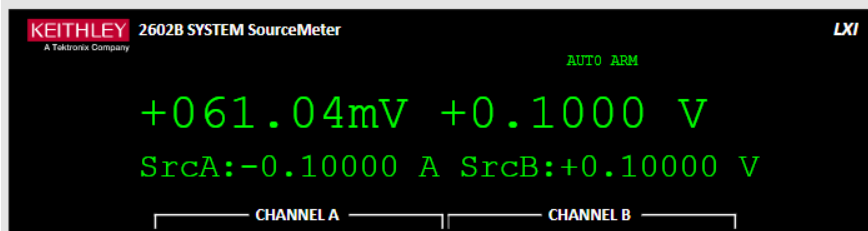
The R_L is the lead wire resistance using 2600-BAN cables from each SMU channel.

SMU2: behaves a 100mV Source with 1Amp compliance limit

SMU1: behaves as 100mA current sink. What voltage does SMU1 "see"?



SMU1 measures only 61mV. The remaining 39mV is dropped across the two R_L .



Here is another capture for when I add 2.5 Ω in the HI side connection between the two SMU.

SMU1 priority is to achieve the -100mA source level. The allowed voltage potential defined by the compliance limit can be positive or negative. SMU1 moves out of Q4 and into Q3 operating quadrant to achieve the requested source level.

